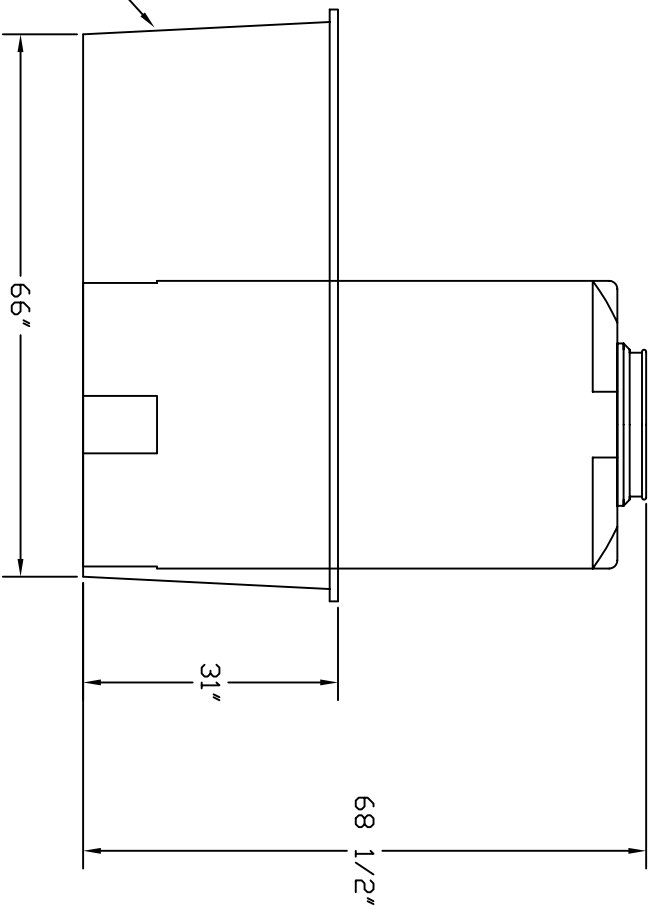
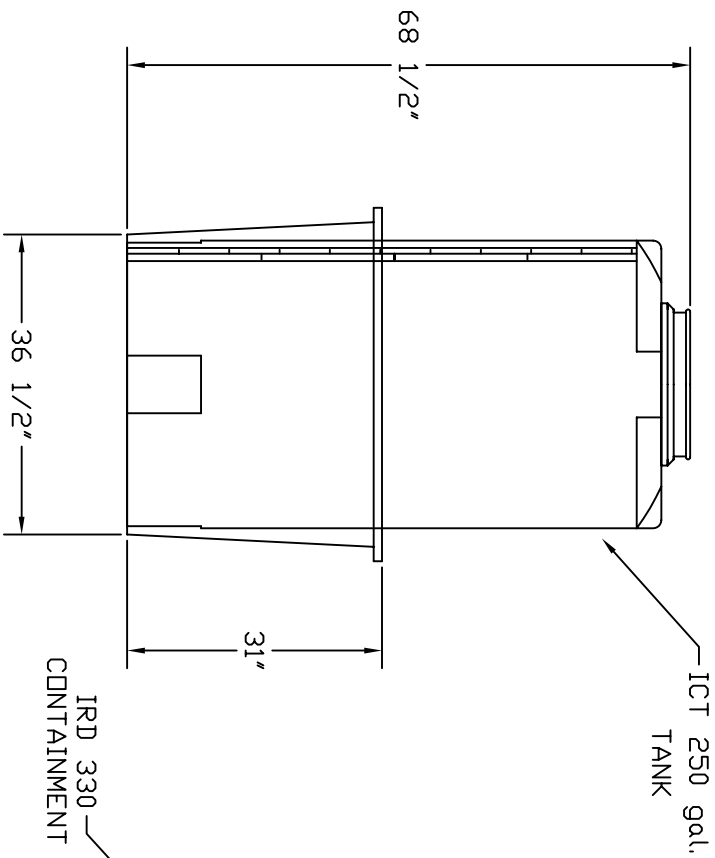
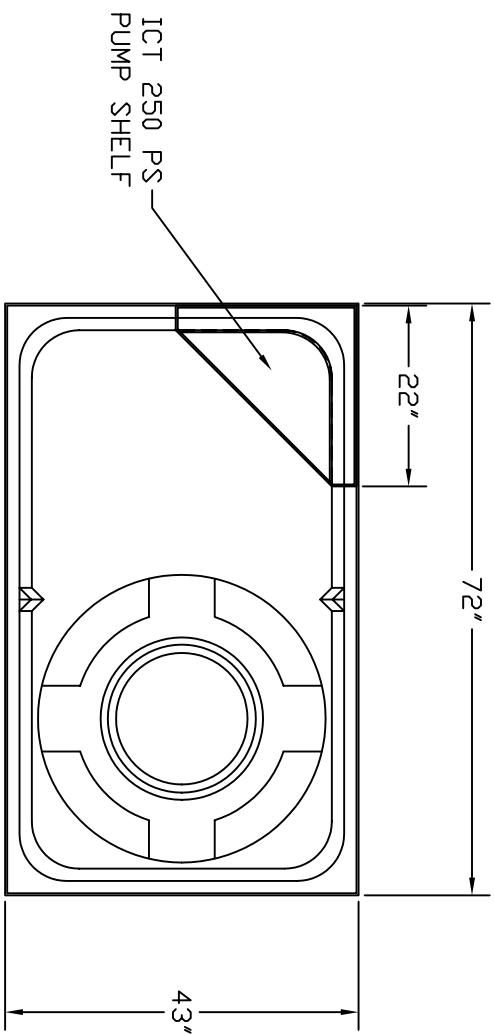




www.ChemicalContainment.com
1-800-825-7872



DATE	5/6/05	BY	D. CRAGER
SCALE	NONE	CUSTOMER APPROVAL	
PART TITLE		CORPORATION OF AMERICA	
ASSMANN CORPORATION INDUSTRIAL		ACFS 250	
250 gal. FEED STATION ASSEMBLY			